

**TECHNICAL DATA SHEET**

**OUTSTANDING FEATURES**

- ◆ Loop powered 4-20mA.
- ◆ Optional flowmeter linearization.
- ◆ Factory configured when purchased with a Hoffer flowmeter.
- ◆ Several enclosure options.
- ◆ CE Compliant.
- ◆ Windows® Configuration Software



- Load Resistance:** Max 650 Ohms at 24 Vdc.
- Accuracy:** ±0.02% of full scale.
- Temperature Drift:** 40 ppm/deg. C.
- Communications:** RS232 port for configuration and diagnostics.
- Operating Temperature:** -40° to +185°F.  
(-40° to +85°C).
- Humidity:** 0-90% Non-Condensing.
- Enclosure:** Extruded Aluminum.  
DIN Rail Mount.  
Explosion-Proof.
- Regulatory:** CE Compliant.

Up to 20 point linearization.

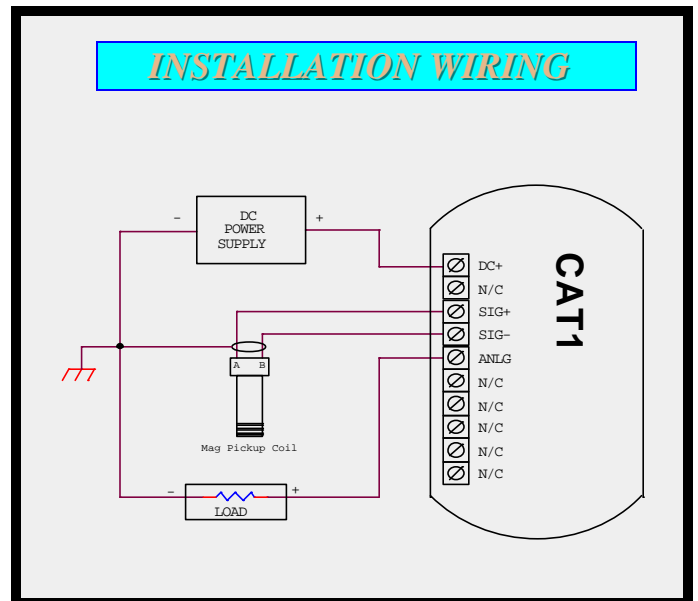
Windows® Configuration Software for device configuration, diagnostics and monitoring.

**PRODUCT DESCRIPTION**

The CAT1 is a microprocessor controlled 2-wire 4-20mA transmitter. The CAT1 converts a low level, frequency signal from a flowmeter sensor into an analog 4-20mA output. The output is proportional to the flow rate.

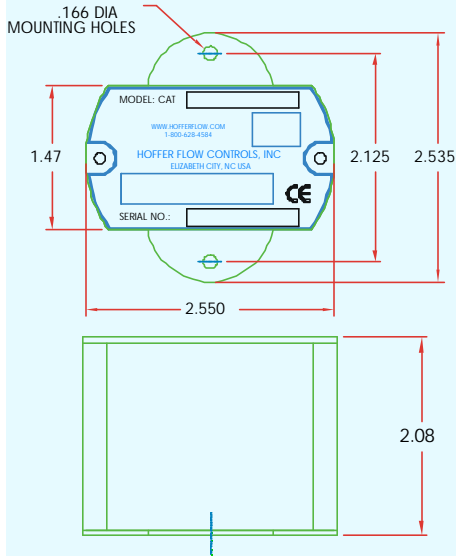
**SPECIFICATIONS**

- Input Signal Type:** Magnetic pickup.
- Input Frequency Range:** 0.2 Hz to 4 KHz.
- Signal Level:** 10 mV rms to 30 Vdc.
- Power Supply:** Loop Power 10-30 Vdc.  
Reverse polarity protected.
- Loop Burden Voltage:** 8.5 V.
- Analog Output:** 4-20mA.  
24mA overflow condition.

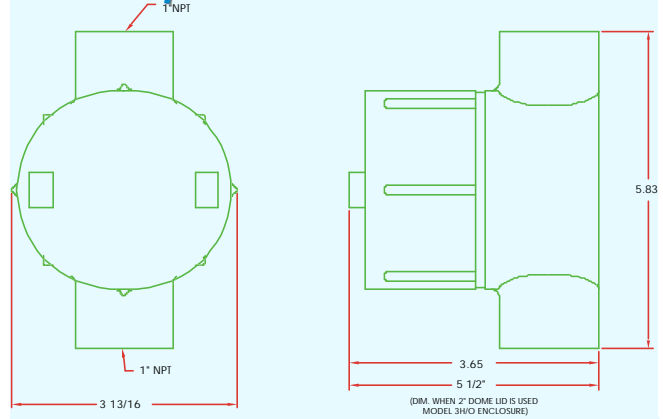


# ENCLOSURE OPTIONS

## General Purpose Enclosure

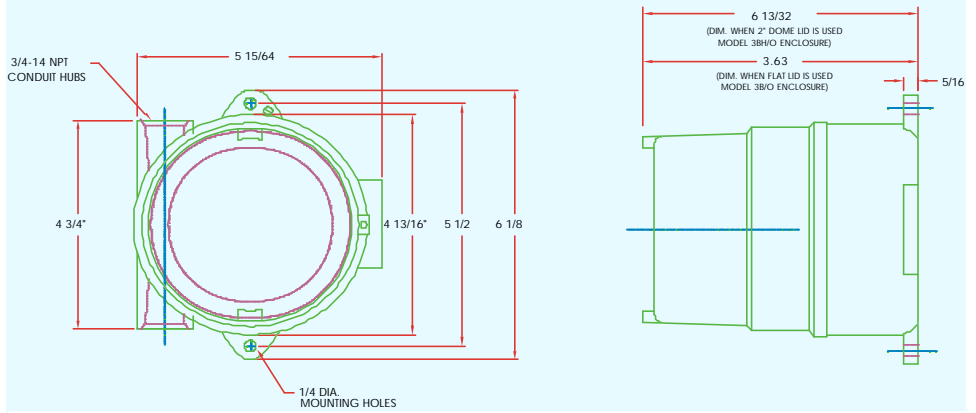


## 3/0 Explosion-Proof Enclosure



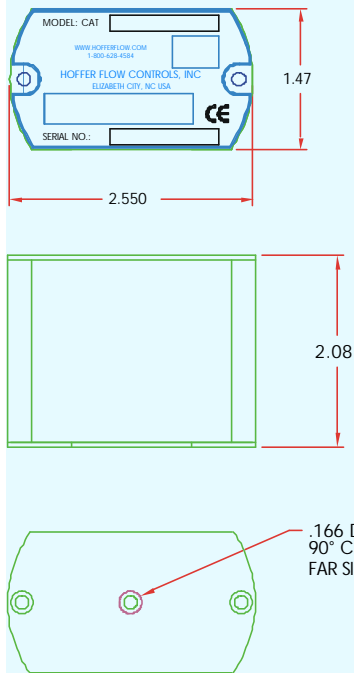
Enclosure meets Class I, Groups C & D. Class II, Groups E, F & G. Nema 4X with O-Ring, UL and CSA Approved.

## 3B/0 Explosion-Proof Enclosure

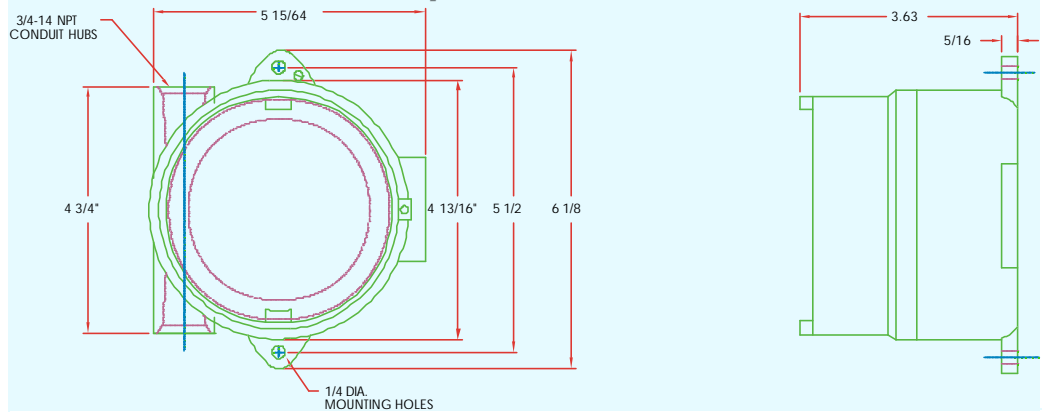


Enclosure meets Class I, Div 1 & 2, Groups A, B, C & D. Class 1, Zones 1 & 2, Groups IIB + H2 IIA. Class II, Div 1 & 2 Groups E, F & G. Class III. Nema 3, 4 7(B, C, D) 9(E, F, G). Cenelec EEx d IIC IP66, UL, CSA, FM Approved.

## Din Rail Enclosure



## 3B/0-ATEX Explosion-Proof Enclosure



Enclosure meets Class I, Div 1 & 2, Groups A, B, C & D. Class 1, Zones 1 & 2, Groups IIB + H2 IIA. Class II, Div 1 & 2 Groups E, F & G. Class III. Nema 3, 4 7(B, C, D) 9(E, F, G). Cenelec EEx d IIC IP66, UL, CSA, FM Approved. ATEX Certified.



## HOFFER FLOW CONTROLS, INC.

107 Kitty Hawk Lane, P. O. Box 2145, Elizabeth City, NC 27906-2145

800-628-4584 252-331-1997 FAX 252-331-2886

www.hofferflow.com email: info@hofferflow.com

The specifications contained herein are subject to change without notice and any user of said specifications should verify from the manufacturer that the specifications are currently in effect. Otherwise, the manufacturer assumes no responsibility for the use of specifications which may have been changed and are no longer in effect.

The quality system covering the design, manufacture and testing of our products is certified to International Standard ISO 9001.



ISO9001  
Registered Company