

TECHNICAL DATA SHEET

PRODUCT DESCRIPTION

The PET Series converter receives frequency input and converts it to a proportional 4-20mA or 0-10V analog output. It has been designed to fit a compact "ELBY" explosion-proof enclosure. The frequency range is field selectable to fit most applications. ZERO and SPAN adjustments make it easy to calibrate to almost any measurement range. This series is designed for use with the Lo-Co Series of low cost flowmeters.

SPECIFICATIONS

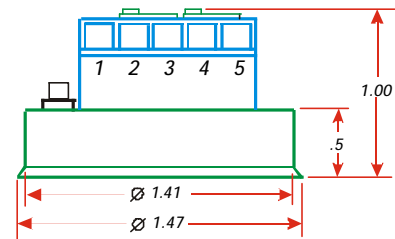
Supply Voltage:	9 – 30 VDC.
Supply Current:	< 4.0 mA.
Input Protection:	100 VAC, reversed leads.
Output Protection:	Short to 0 VDC, Common or Signal out Continuous.
Frequency Input Range F:	Hi: max full scale 10 kHz. min full scale 1100 Hz. Lo: max full scale 1200 Hz. min full scale 75 Hz.
Input Sensitivity:	Standard 12 mVpp.
Linearity:	0.5% max., 0.15% typical.
Output Settling Time:	Full scale change to 95% of final value 100mS to 3 sec.
Output Ripple and Noise:	.2 mA max p-p, 1% of full scale. .02 mA typical, .01% of full scale.
Temperature Coefficient:	25° to 40°C, 0.13%/°C.
Operating Temp. Range:	-40° to +85°C (-40° to +185°F).
ZERO/SPAN Adjustment Interaction:	< 1%.
3 WIRE OUTPUT VERSION:	20 mA Range.
Minimum Output Current:	0.07 mA.
Maximum Output Current, (Full Scale Min. Cal., Zero Cal. Set to 4 mA):	24.1 mA.
Load Resistance	
<(+V - 6v)/ 20 mA output:	+V=12v: < 300 ohms. +V=24v: < 900 ohms.
Terminal Connections:	1. Input VDC. 4. Mag Pickup. 2. Common. 5. Mag Pickup. 3. Signal Out.
CE-Compliance:	EN55011, EN55022-2.

MODEL NUMBERS

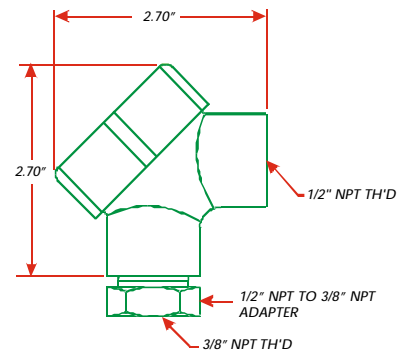
PET-1	0 to 10 VDC analog output.
PET-2	4 to 20 mA analog output 2 wire.
PET-3	4 to 20 mA analog output 3 wire.
PET-7	4 to 20 mA analog output 2 wire. *
	*Same as PET-2 with improved EMI noise immunity.

(Note: Add -CE to end of model number to specify CE compliance.)

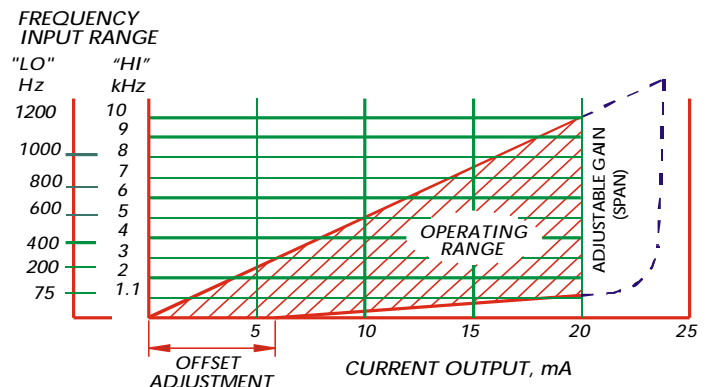
DIMENSIONAL INFORMATION



General Purpose



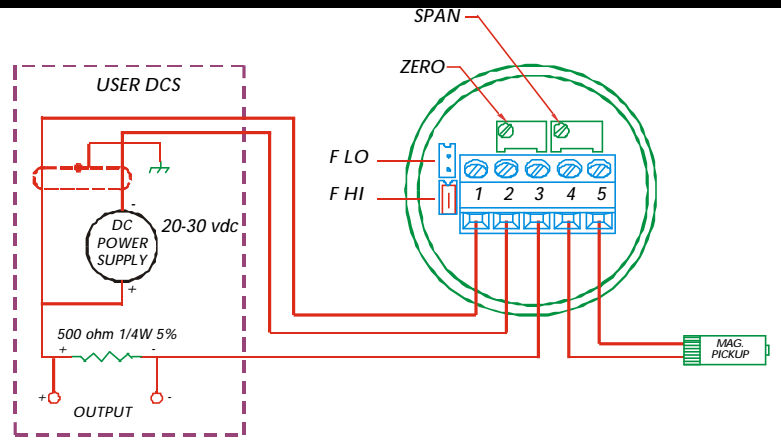
Explosion-Proof



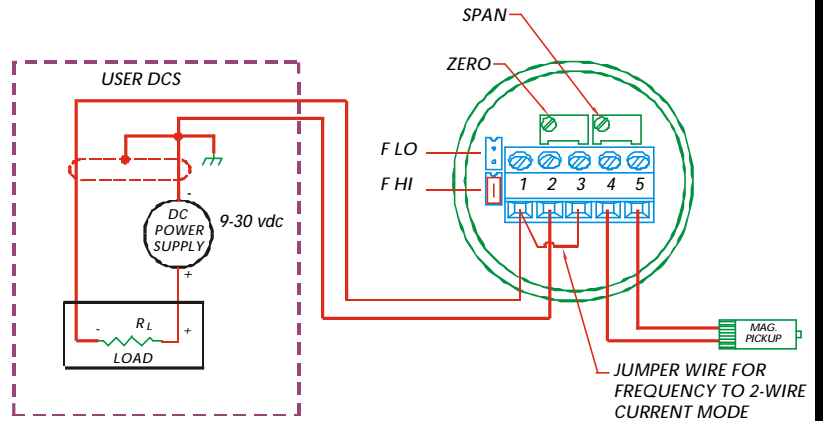
**Frequency Input vs. Current Output
Operating Range**

TYPICAL INSTALLATION WIRING

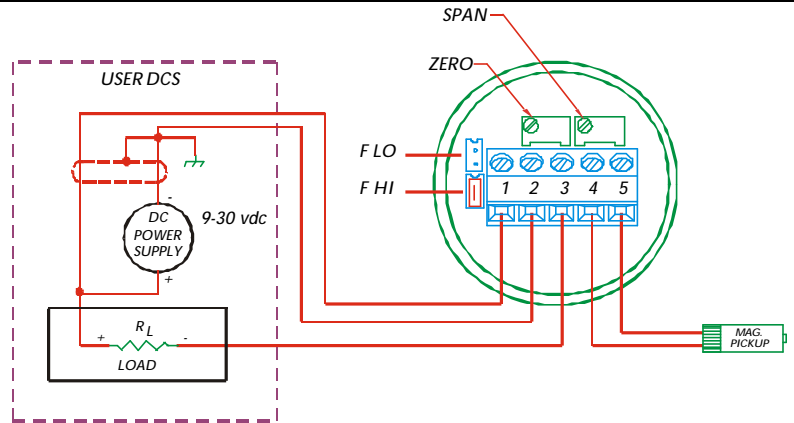
Model PET-1
0 - 10 VDC Analog Output



Model PET-2, PET-7
4 - 20 mA Analog Output
Two Wire



Model PET-3
4 - 20 mA Analog Output
Three Wire



CE is optional. Add -CE to end of model number (i.e. PET-3-CE).

HOFFER FLOW CONTROLS, INC.

107 Kitty Hawk Lane, P. O. Box 2145, Elizabeth City, NC 27906-2145
 800-628-4584 252-331-1997 FAX 252-331-2886
 www.hofferflow.com email: info@hofferflow.com

The specifications contained herein are subject to change without notice and any user of said specifications should verify from the manufacturer that the specifications are currently in effect. Otherwise, the manufacturer assumes no responsibility for the use of specifications which may have been changed and are no longer in effect.

The quality system covering the design, manufacture and testing of our products is certified to International Standard ISO 9001.

