

**Model 2007**  
**Volumetric or Mass**  
**Batch Totalizer/ Rate Indicator**  
**for Liquids**

**OUTSTANDING FEATURES**

Intelligent Batching.

0.32" (8.13mm) character height, ± 20 degree viewing angle.

Two line 16 character alphanumeric display indicates function and unit of measure in English or metric units.

LCD display with LED backlighting.

Sonic alarm located behind front panel.

Provides linearization of flowmeter inputs.

Includes two optional analog outputs for process control or monitoring.

12 numeric function keys include programmable high and low alarms.

Keypad is membrane type sealed to NEMA 4X rating.

Provides communication capability for either RS-232 or RS-422/RS-485 multi-drop.

8 mode control function keys.

Factory programmed when purchased with a Hoffer turbine flowmeter.

**GENERAL DESCRIPTION**

The Model 2007 is a microprocessor based batch controller that provides local display of flow rate, accumulated total and batch total. This unit also transmits flow data for control capability. Standard outputs include analog, RS-232, RS-422, RS-485 and conditioned pulse outputs. Optional temperature and pressure compensation is available for mass flow batching. This unit is part of a cost effective family of flow products designed to accept inputs from pulse producing flowmeters.

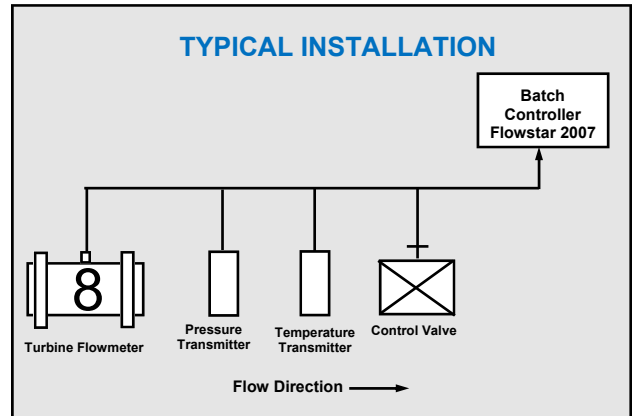
available in the marketplace. Programming is done through the front panel keyboard, as well as through the two way RS-232 or RS-422/RS-485 multi-drop communications port.

The FLOWSTAR™ 2007 provides for a single flowmeter input with two stage intelligent batching. Intelligent batching adjusts the prewarn value automatically to compensate for any overrun created by the valve or pump shut off times.

The FLOWSTAR™ series offers software packages to support the following functions:

- Model 2000 Volumetric Flow Rate Indicator/Totalizer for Liquids and Gases
- Model 2005 Temperature/Pressure Compensated Mass Flow Computer for Liquids
- **Model 2007 Temperature/Pressure Compensated Mass/Volumetric Batch Controller for Liquids with Intelligent Batching**

The unit is factory programmed to display in either English or Metric units when purchased with a Hoffer turbine flowmeter. This feature should save the user numerous hours of set up time that is associated with other microprocessor based units



## SPECIFICATIONS

Display	Two line 16 character alphanumeric. Type LCD with LED backlighting. (Counts per batch and scrolled accumulator 7 digit and 7 digit rate display). Character height 0.32" (8.13 mm). Supertwist ±20 degree viewing angle.	
Analog Outputs (Select any combination of two)	0 - 5 VDC 0 - 10 VDC 4 - 20 mA	Response Time: 1.5 seconds for 10 to 90% Compliance Voltage: 7 Volts
Communication Port (Select one)	RS-232 RS-422/RS-485 (Half duplex)	
Digital Outputs (There can be a <b>total of (4)</b> outputs selected from the Digital Outputs, Preset Batch Features, and Alarms sections.)	Open Collector: type 2N6660      Max Count Speed: 125 counts/sec Vmax 60 VDC, absolute maximum      PW = 4 Milliseconds Imax 1.2 Amps DC, absolute maximum  TTL/CMOS: Logic 1 = 5.0 VDC, Logic 0 = 0 VDC Dry Contact: 100 VDC / 130 VAC @ 0.5A	
Pulse Inputs	Magnetic coil RF coil (Radio frequency coil or modulated carrier coil) Redi-Pulse Coil Magnetic or RF Dry Contact (Switch Closure)	
Preset Batch	Dual Stage Preset (Open Collector or Solid State Relay)	
Temperature and Pressure Compensation (Analog Input)	4 to 20 mA Input	
Power Input	115 or 220 VAC, 50-60 Hz., ±10% 10.5 to 24 VDC	
Alarm Limits	Low alarm High alarm Combination high/low alarm Low Dry Contact High Dry Contact Combination High/Low Dry Contact	
Linearization	20 points (For pulse input channel only).	
24 Hour Real Time Clock		
Auxiliary Voltage Output	20 VDC @ 200 mA (max) unregulated on AC powered units. On DC powered units the voltage applied (10.5 to 24 VDC) will be the auxiliary voltage output supplied.	
Password Protection		
Environmental	Operating 0 to +70 degrees C Storage -20 to +80 degrees C Humidity 10 to 90% non-condensing	
Enclosure (panel mount)	1/2 DIN Standard, flame retardant, extruded aluminum Anodized with a black powder coating Approximate weight 4 lbs. (1.8 kg)	
Optional Enclosure	NEMA 3, 4X, 12 (Fiberglass case suitable for wall mount or integral mounting on flow-meter).	

## Capabilities and Related Products

In addition to the FLOWSTAR™ Series of microprocessor based flow products, Hoffer manufactures a complete line of turbine flowmeters for cryogenic, liquid and gas service.

We also design and manufacture a full line of electronic packages ranging from signal conditioners/converters to comprehensive flow computers. Please request a copy of our "Engineering Guide" for a complete overview of our flowmeters. Our "Product Catalog CD-Rom" provides information on all products available including both our flowmeters and electronics.

Whether your requirement is for a portable, self-contained system, mobile mounted and powered system, or conventional instrumentation, Hoffer is the source.

# FLOWSTAR™ MODEL 2007

## Volumetric or Mass Batch Totalizer / Flow Rate Indicator for Liquids

**HOW TO ORDER:** This unit is provided with a 7-digit LCD totalizer and 7-digit LCD rate indicator. Review the model number breakdown below and select one option in each category. **Insert an (X) in any option not selected.**

**MODEL 2007- A -** ( ) - ( ) - ( ) - ( ) - ( ) - ( ) - ( ) - ( ) - ( ) - ( ) - ( ) - ( ) - ( )

**Analog Output/Select Up to Two**

- (3) 0-5 VDC (Standard)
- (D3) DUAL 0-5 VDC
- (4) 0-10 VDC
- (D4) DUAL 0-10 VDC
- (7) 4-20 mA
- (D7) DUAL 4-20 mA
- (D3/4) ONE 0-5 VDC AND ONE 0-10 VDC
- (D3/7) ONE 0-5 VDC AND ONE 4-20 MA
- (D4/7) ONE 0-10 VDC AND ONE 4-20 MA

**Communication Port/Select One**

- (R2) RS-232
- (R4) RS-422/RS-485 Half Duplex

**\*Scaled Digital Outputs/ Select Two / Includes Alarm Options**

- (1) Open Collector (Standard)
- (2) TTL/CMOS
- (3) Dry Contact

**Single Channel Only (See Nova-Flow for multiple channels)**

- (1) Single Channel

**Flowmeter Inputs**

- (M) Magnetic Coil (Standard pulse)
- (MC3PA) RF Coil
- (RPM) Magnetic Redi-Pulse Coil
- (RPR) RF Redi-Pulse Coil
- (DMX) Magnetic Redi-Pulse I.S. Coil
- (DRX) RF Redi-Pulse I.S. Coil
- (DC) Dry Contact

**Analog Input & Temperature / Pressure Compens-**

- (7) 4-20mA
- (2/7) Dual 4-20mA- Required if both T & P required.

**Temperature Compensation/Pressure Compensation/One Fluid**

- (T) Temperature-Requires RTD with Transmitter
- (TP) Temperature and Pressure-Requires RTD
- (UVC) Viscosity Compensated (Table)

**\*Preset Batch Features (Requires 2 of 4 digital pulse outputs)**

- (DSC) Dual Stage Preset Shutdown, Open Collector
- (DSR) Dual Stage Preset Shutdown, Solid State 24-240 VAC @ 3 amps SPST N/O

**Power Input**

- (1) 115 VAC 50/60 Hz
  - (2) 220 VAC 50/60 Hz
  - ( ) 10.5 to 24 VDC (Insert actual voltage)
- For analog output 4 - 20mA & 0 - 10VDC, the DC voltage required is 18 - 24VDC.

**\*Alarms**

- (HI/LO) High/Low Open Collector (**Requires 2 of 4 digital pulse outputs**)
- (L) Low Solid State 24-240 VAC @ 3 amps SPST N/O
- (H) High Solid State 24-240 VAC @ 3 amps SPST N/O
- (H/L) High/Low Solid State 24-240 VAC @ 3 amps SPST N/O (**Requires 2 of 4 digital pulse outputs**)
- (L3) Low Dry Contact
- (H3) High Dry Contact
- (H/L3) Combination High/Low Dry Contact

**Enclosure Style**

- (P) Panel Mount - Compliances: Keypad is sealed to NEMA 4X
- (ND) Flowstar mounted on door (sealed with keypad accessible) - Compliances: NEMA 3, 4X, 12 Fiberglass. Supplied standard with three entrance holes. If more or less are required, user must specify.

**Accessories / Options**

- (F) Mounted on flowmeter option (ND) only.
- (H) Heaters for (ND) Enclosure only
- (MS) Connectors for (ND) Enclosure, includes mating connectors

**Special Features**

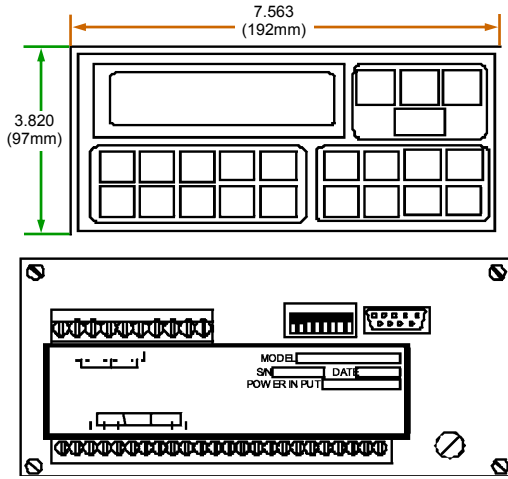
- (SP) Any special features that are not covered in the model number, use a written description of the -SP.

\* There can only be a **total of (4)** outputs selected from the Scaled Digital Outputs, Preset Batch Features, and Alarms sections.

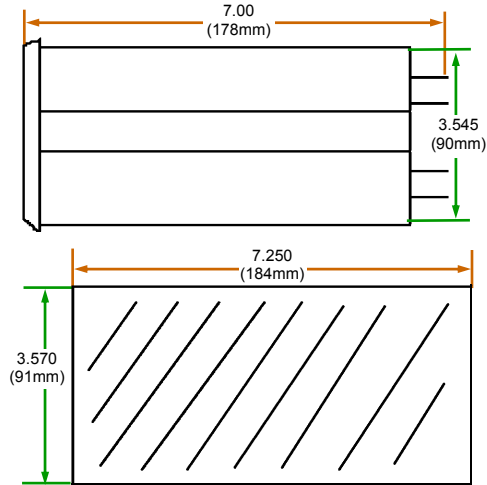
# FLOWSTAR™ Enclosure Styles

## (P) Panel Mount, Standard

All dimensions are in inches unless otherwise indicated.



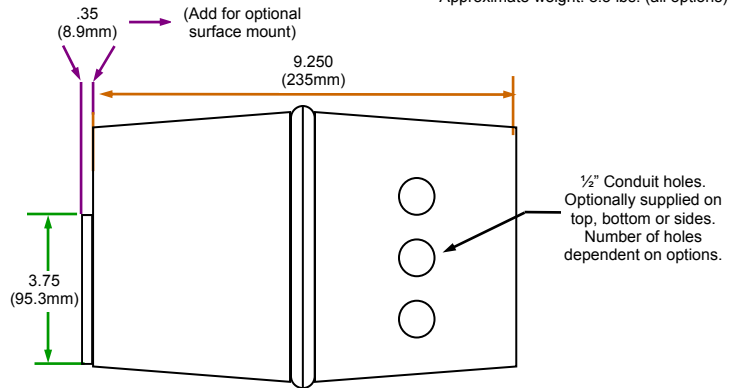
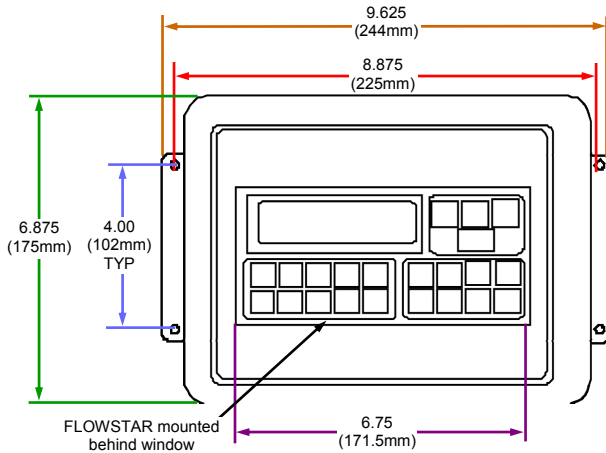
Keypad is sealed to NEMA 4X  
½ DIN Standard, flame retardant, extruded aluminum  
Approximate weight: 4lbs. (All options)



Standard panel mount cutout  
for mounting FLOWSTAR

## (N) NEMA Enclosure, Optional

Meets NEMA 3, 4X and 12 fiberglass  
Suitable for wall mount or  
integral mounting on flowmeter  
Approximate weight: 8.5 lbs. (all options)



**H** **HOFFER FLOW CONTROLS, INC.**  
107 Kitty Hawk Lane, P. O. Box 2145, Elizabeth City, NC 27906-2145  
800-628-4584 252-331-1997 FAX 252-331-2886  
www.hofferflow.com email: info@hofferflow.com

The specifications contained herein are subject to change without notice and any user of said specifications should verify from the manufacturer that the specification are currently in effect. Otherwise, the manufacturer assumes no responsibility for the use of specifications which may have been changed and are no longer in effect.



Hoffer Flow Controls Quality Management System



Certified to  
ISO 9001:2015



Precisely Right.