

TURBINE FLOWMETERS BY **HOFFER**

Perfecting Measurement™

PET SERIES

Preamp Signal Conditioner Mag Type
(for use with Lo-Co and TriFlo Series)

Product Bulletin PET-PSC-100B

TECHNICAL DATA SHEET

PRODUCT DESCRIPTION

The PET Series mag-preamps are designed to convert low level sinusoidal signals into stable square wave pulses. The signal conditioners are built to fit a compact "ELBY" type explosion-proof enclosure. This PET is designed for use with the Lo-Co Series and TriFlo Series flowmeters.

SPECIFICATIONS

Supply Voltage: 7.5 – 30 VDC regulated
12 – 30 VDC regulated (PET-5)

Supply Current @ 30 VDC max:
≤ 3 mA (0-5 V)
≤ 12mA (0-10 V)
≤ 20mA (OC)
≤ 5mA (Current Loop)

Output Signal: Std.: 0-10 V
R Load > 20 kΩ TTL: 0-5 V
OC: Open Collector, NPN

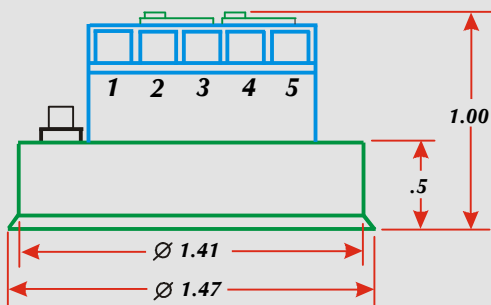
Frequency Range: 5Hz to 10kHz at specified sensitivity

MODEL NUMBERS

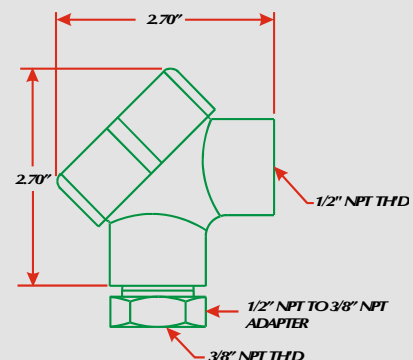
PET-4 TTL/CMOS (0-5 VDC)
PET-5 0-10 VDC Square Pulse
PET-6 Open Collector

Input Sensitivity: 30 mVpp
Distance Pickoff/Preamp: 500 ft. max
Temperature Range: -40° to +221°F
(-40° to +105°C)
Terminal/Pin Connections: 1. Input VDC 4. Mag Pickup
2. Common 5. Mag Pickup
3. Pulse Out (+)
CE-Compliance: EN55011, EN500222

DIMENSIONAL INFORMATION



General Purpose



Explosion-Proof

ORDERING INFORMATION

PET- (A) - (B) - (C)

OUTPUT

- 4 TTL/CMOS (0-5 VDC)
- 5 0-10 VDC Square Pulse
- 6 Open Collector

ENCLOSURE

- 1 General Purpose
- 2 ELBY Type Explosion Proof Enclosure
CLASS I DIV 1 & 2, GROUPS C & D
CLASS II, DIV 1 & 2 GROUPS E, F & G
CLASS III
UL & CSA LISTED
(Not for use in ATEX or IEC classed areas. Single 1/2" FNPT conduit connection.)

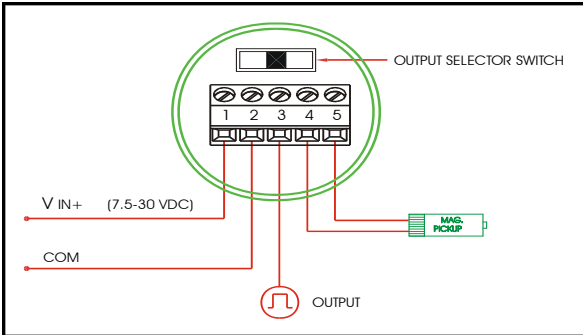
OPTIONS

- (X) None
- (1) 1/2" MNPT x 1" FNPT adapter for use with ELBY Enclosure to Mount to Standard 1" Flowmeter Riser
- (CE) Mark required for Europe

TYPICAL INSTALLATION WIRING

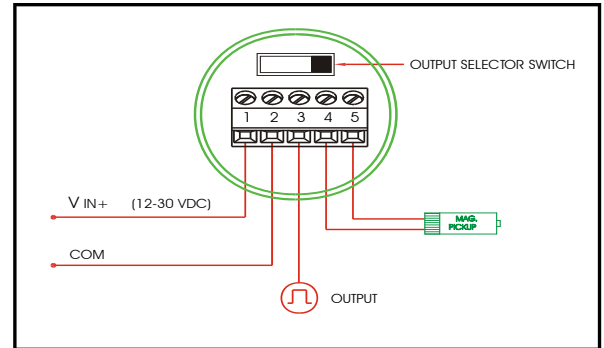
Model PET-4

TTL/CMOS (0-5 VDC)

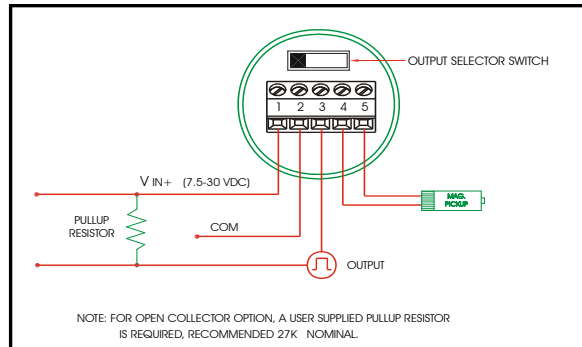


Model PET-5

0-10 VDC Square Pulse



Model PET-6 Open Collector



HOFFER FLOW CONTROLS, INC.
 107 Kitty Hawk Lane, P. O. Box 2145, Elizabeth City, NC 27906-2145
 800-628-4584 252-331-1997 FAX 252-331-2886
 www.hofferflow.com email: info@hofferflow.com

The specifications contained herein are subject to change without notice and any user of said specifications should verify from the manufacturer that the specifications are currently in effect. Otherwise, the manufacturer assumes no responsibility for the use of specifications which may have been changed and are no longer in effect.

The quality system covering the design, manufacture and testing of our products is certified to International Standard ISO 9001.

